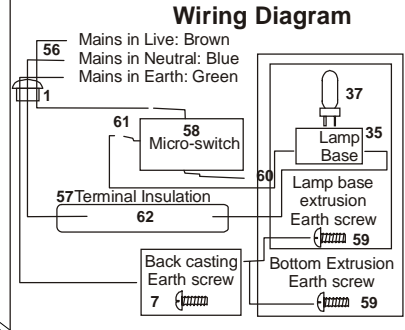
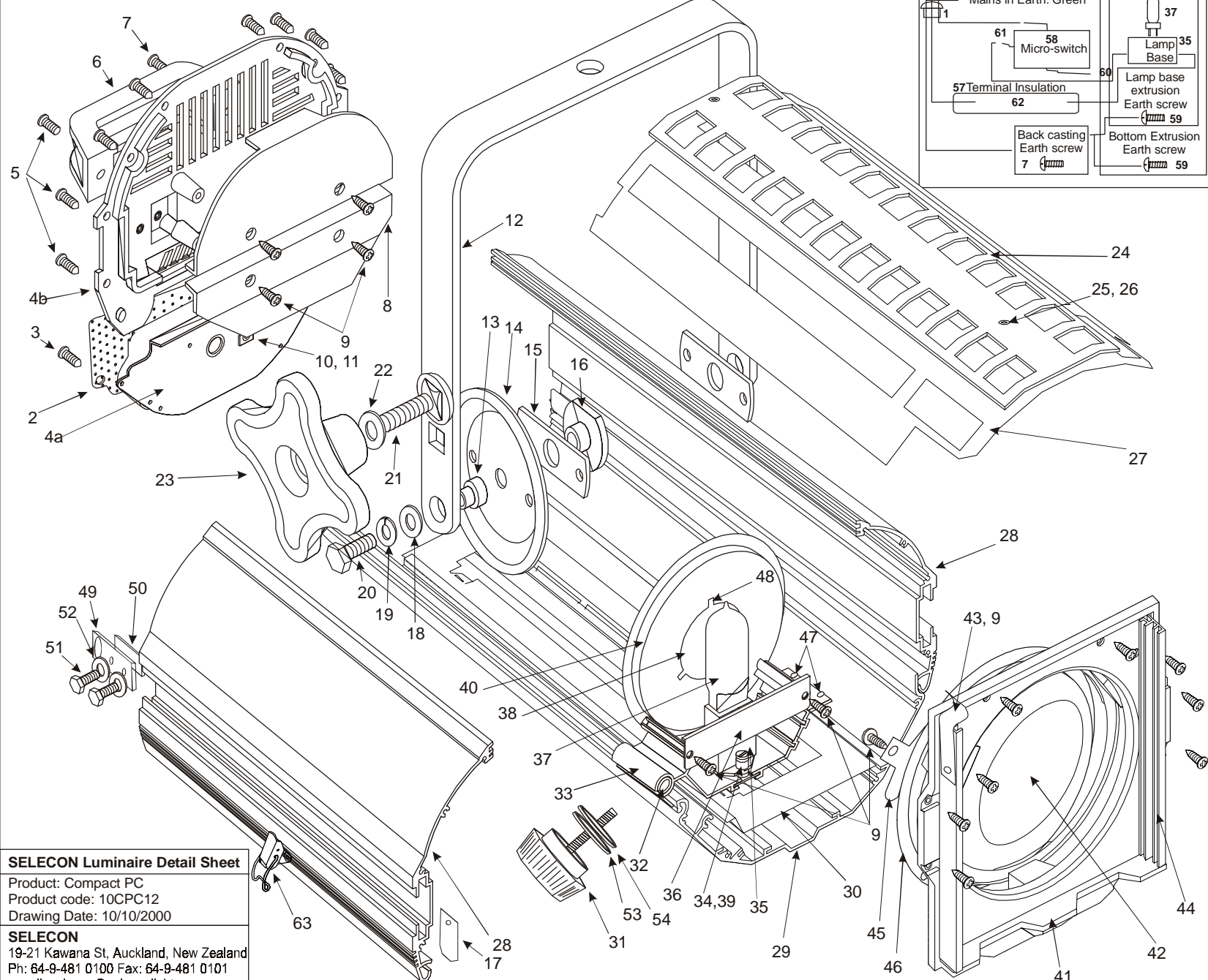


# SELECON



## COMPACT PC

No	Code	Description
1	COMPLA004	Trumpet cable entry gland
2	1200SHT042	Switch cover plate
3		Screw 8 x 3/8 Pan pozi
4ab	1200CAS004	1200 Rear casting
5		Screw 6 x 1/2 STMB Mushroom
6	1200PLA005	Handle Plastic D type
7		Screw M4 x 16
8	1200SHT015	Rear Light leak baffle
9		Screw 6 x 3/8
10	1200ELE005	Cable clamp
11		Rivet
12	1200YOK003	Yoke 1200
13	1200MET012	Yoke Spacer 8mm
14	PACMET002	Yoke Locking Disc
15	1200MET026	Yoke locking bar outer
16	1200MET027	Yoke Locking bar Inner
17	1200SPR002	Door Spring clip
18		Washer M8 Flat
19		Spring Washer M8
20		Screw M8 x 25 Hex
21		Coach Bolt M10 x 25
22		Washer M10 Flat
23	COMPLA004	Yoke Locking Knob
24	1200EXT009	SF1200 Outer Top Plate
25		Top Plate spacer
26		Rivet
27	1200EXT010	SF1200 Inner Top Plate
28	1200EXT002	Extrusion Side
29	1200EXT003	Extrusion Door
30	1200SHT040	Door Light leak baffle
31	COMPLA002	Focusing Knob
32	1200MET029	Sf1200 Lamp tray Bearing
33	1200EXT007	Extrusion 1200 Lampray
34	1200MET021	Lamp stand spacer 1200 range
35	1200ELE001	Lamp Base GX9.5 1200W
36	1200SHT036	Lampbase baffle
37		Lamp, up to 1200W GX9.5 base
38	1200REF005	1200 Fresnel and PC reflector
39	1200SHT043	SF12 Lampbase Locking plate
40	1200SPIN018	1200 Reflector retaining spinning
41	1200CAS001	1200 Front Casting
42	1200LEN015	Lens, 6" PC
43	1200SPR001	Colour frame retention spring clip
44	1200EXT001	Extrusion Colour frame runners
45	1200SPR003	Lens retaining clip Y type
46	1200SPIN016	Lens retaining Spinning
47	1200MET001	Lamp tray Bearing Teflon runner
48	ARESPIN005	Reflector retaining ring
49	1200MET022	Safety Chain Anchor point Bar
50	1200MET023	Anchor point bar back slide
51		Washer M6 Shakeproof
52		Screw M6 x 12 Hex
53		Washer focus knob red fibre
54		Washer Focus knob, fender
55	1200SPR004	Spring, Lamp tray shock absorber
56	1200LOOM003	3 core 1.5mm silicone cable
57	COMELE019	Terminal Insulation box
58	COMELE001	Micro-switch
59		Screw M3.5x10 Thread forming
60	1200LOOM003	Sd550 Insulation Sleeving
61	1200LOOM003	4.8mm spade terminal & Insulator
62	1200LOOM003	6.9mm M & F spade terminal set
63		Door Latch and Clasp

### SELECON Luminaire Detail Sheet

Product: Compact PC  
 Product code: 10CPC12  
 Drawing Date: 10/10/2000

**SELECON**  
 19-21 Kawana St, Auckland, New Zealand  
 Ph: 64-9-481 0100 Fax: 64-9-481 0101  
 e-mail: selecon@seleconlight.com  
 website: www.seleconlight.com

To order spare parts, please quote the Product Name and the Part Number