

Operating manual

# UNIQUE



a Look Solutions product

## Set of Equipment supplied

- 1 **Unique**
- 1 tank lid with quick connector, silicon tube and air valve filter
- 1 canister of UNIQUE fluid, 2l
- 1 manual

As an option:

- 1 cable remote incl. cable 25 ft
- 1 diverter to redirect the haze output

Please check whether all the products you ordered are supplied.

# Contents

<b>1. Introduction</b>	4
<b>2. Safety instructions</b>	5
<b>3. Description of the parts</b>	6
<b>4. Fluid</b>	8
4.1 General notes	
4.2 Changing the fluid canister	
4.3 Storage of the fluid	
<b>5. Operating the UNIQUE</b>	9
5.1 Selecting the location	
5.2 Putting into operation	
5.3 Switching the device off	
5.4 Control choices	
5.4.1 Stand alone mode	
5.4.2 Control via 0 - 10 Volt (+) DC	
5.4.3 Control via DMX 512	
5.4.3.1 Adjusting the DMX start address	
5.5 Adjusting the pump and the fan	
5.5.1 Adjusting in the stand alone mode	
5.5.2 Adjusting via 0 - 10 Volt (+) DC	
5.5.3 Adjusting via DMX 512	
5.6 Wiring of the sockets	
<b>6. Cleaning, Care and Maintenance</b>	14
<b>7. Troubleshooting</b>	15
<b>8. Specifications</b>	15
<b>9. Warranty conditions</b>	16

# 1. Introduction

The haze machine **Unique** offers various new features, which open new fields of operation to the user.

With its variable output, the machine can be used in many fields where normal haze machines have failed. Any desired effect can be achieved: from the finest mist to a thick haze, similar to fog. Therefore the **Unique** is able to fill rooms or halls with a constant haze, creating the right atmosphere and greatly enhancing lighting effects.

Due to the fact that the pump and the fan can be controlled, the noise of the **UNIQUE** can be reduced tremendously. So the machine can be used in fields of operation where any sound is undesirable and disturbing.

The ready-mixed fluid, available in canisters of 2 litres, guarantees a trouble-free operation and continuous output for up to 80 hours.

The warming up time is extremely short (max. 1 min.)

With its power requirement of 1500 watt the **Unique** is very powerful.

## 2. Safety instructions

### A fog machine is not a toy!

- Very hot steam escapes from the nozzle. Danger of getting burnt.
- Occasionally very hot droplets of fluid may escape when in operation. Thus never aim at persons directly and keep a minimum distance of 10 ft from the nozzle.
- Never touch the nozzle when in operation. Danger of getting burnt.
- The location for the machine must be non-flammable, non-combustible and not sensitive to heat. It has to be twice as big as the machine.
- Keep a minimum distance of 2 ft from all flammable, combustible objects and objects sensitive to heat.
- Glycol is alcohol and burns with a slightly bluish, almost invisible flame. Never point the fog at strong sources of ignition like fire or pyrotechnic effects.
- Never open the machine and leave the machine unattended when connected to a power supply.
- The visibility has to be more than 6 ft in rooms where people walk around.
- Only use the supplied „Unique-Fluid“. Different types of fluid do not generate the fog you require and destroy your fog generator.
- Do not swallow the fog fluid. Keep it away from children. In case of eye contact, rinse with a lot of water. Consult a doctor should you have accidentally swallowed some fluid.
- Spilled fluid or splashed fluid droplets can cause slip hazard. Mop up the fluid and dispose of it according to regulations. Unique-Fluid is completely water-soluble and biodegradable.
- Fog may activate smoke detectors.
- Use only Look Solutions Unique-Fluid in this machine.

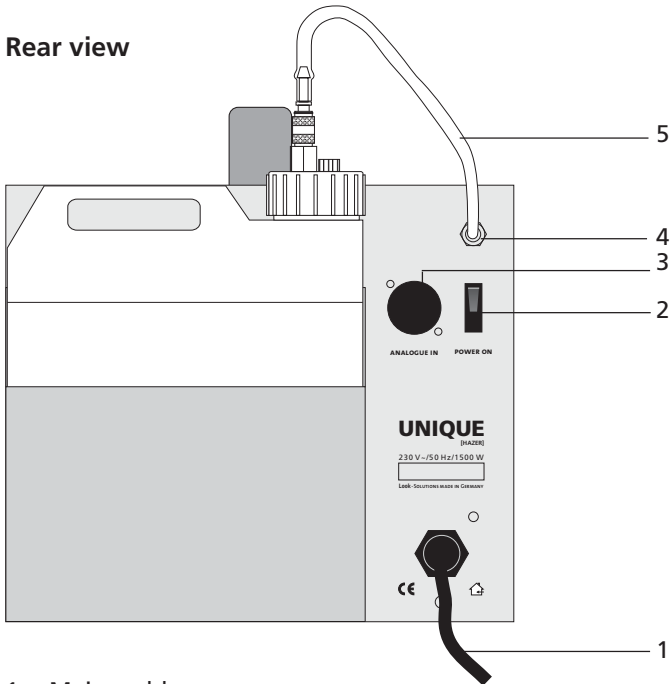
Artificially-made fog can be produced in many different ways. The method used here to produce fog, with a device which works according to the vaporizer principle, is the most harmless one.

No case has so far been reported in which a sound human being has been harmed because of using our device to produce artificial fog. However, this can only be guaranteed if the professional fog generators are used accordingly, i.e. at the correct vaporization temperatures as well as with the correctly mixed fog fluid.

We, however, recommend: **People with health problems or problems of the respiratory tract or with an inclination for allergies should avoid any contact with artificially-made fog.**

### 3. Description of the parts

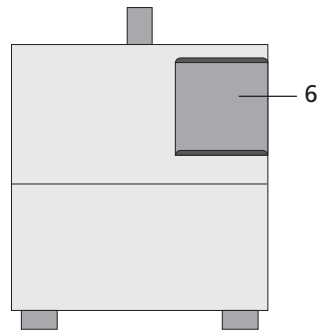
#### Rear view



- 1: · Mains cable
- 2: · Power on/off
- 3: · XLR socket for 0-10 V (+) DC

- 4: · Fluid tube inlet
- 5: · Fluid tube

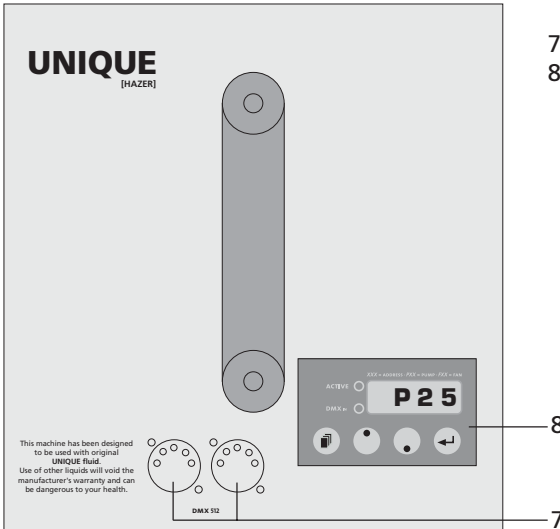
#### Front view



- 6: · Nozzle

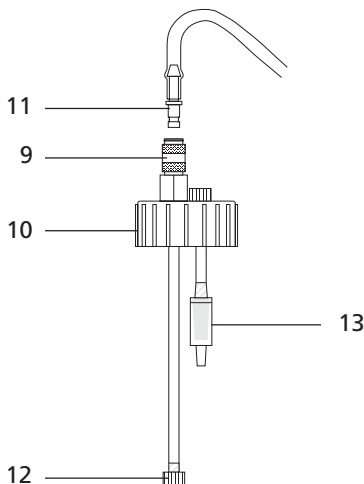
### 3. Description of the parts

#### Top view



- 7: · XLR sockets for DMX in/out
- 8: · Control panel for adjusting the DMX start address and the output

#### Tank lid



- 9: · Brass collar
- 10: · Tank lid
- 11: · Brass coupling
- 12: · Fluid filter
- 13: · Check valve

## 4. Fluid

### 4.1 General notes

You can get the readily mixed fluid you will need to operate the **Unique** in canisters with 2 litres (and also with 10, 25 and 220 Litres) from your local dealer.

To guarantee a trouble-free operation and safe fog the special “Unique-Fluid” has to be used.

Use of other liquids will void the manufacturer’s warranty and can be dangerous to your health.

### 4.2 Changing the fluid bottle

- Disconnect the fluid tube from the lid by retracting the brass collar [9] and removing the brass coupling [11].
- Remove the container from the tank housing of the **Unique**.
- Unscrew the lid [10] of the empty container and screw it onto the new container.
- Place the full container into the tank housing.
- Push the brass coupling [11] into the brass collar [9], until you hear a click. The brass collar is now locked firmly.

### 4.3 Storage of the fluid

The “Unique-Fluid” is a highly concentrated fluid (but do not dilute it). You can store it for a very long period.

## 5. Operating the Unique

Please note:

From the finest mist to a thick haze, similar to fog any desired effect can be achieved.

These haze effects form slowly so that the device should be switched on some time before the lighting or the laser start to operate.

**Important:**

Do not connect a ducting to the nozzle of the Unique. If a ducting is connected directly to the machine the haze will be pushed back into it. This may damage the machine. **We can't grant warranty in this case!**

### 5.1 Selecting the location

The location in which the **Unique** is to be operated must

- be dry,
- be free from dusty or polluted air,
- be free from vibrations,
- be a non-flammable place or surrounding,
- be well-ventilated with haze-free air keeping the ambient operating temperature between 50° F and 105° F and the relative humidity below 80%.

Please note:

In some situations it could happen that the 2l-Fluid tank starts to vibrate in the tank housing. This seems to increase the noise of the machine.

To stop this vibration simply place a cloth or a piece of foam cloth into the tank housing.

## 5. Operating the Unique

### 5.2 Putting into operation

**Warning:** Never connect the UNIQUE to a dimmer or switchpack! This may destroy the machine.

- Put the power plug into the main supply. Make sure the correct voltage is selected (120 V/60 Hz). The red point in the lower right edge of the LED display [17] shows that a voltage is present.



- Switch on the device by means of the Power on/off button [2]. A P and two figures appear on the LED display [17].



- Press the Start/Stop-button [16] once to start the haze process. The green Active-LED [18] shines. After a short delay the machine begins to haze. Press Start/Stop again to stop the haze.

### 5.3 Switching the device off

- Switch off the device at the Power on/off button [2]. The pump stops working and the machine stops producing haze.
- The fan goes down to the most silent sound, continuously cooling down the heater and switches off automatically. On the LED display [17] lines appear which move from the upper left edge down to the lower right edge. These lines show that the heater is cooling down.



When the heater is cooled down, the little red point in the lower right edge of the display appears to show that a voltage is present.



**Please note:**

Make sure that the **Unique** is not disconnected too early, enabling the fan to cool down the device.

## 5. Operating the Unique

### 5.4 Control choices

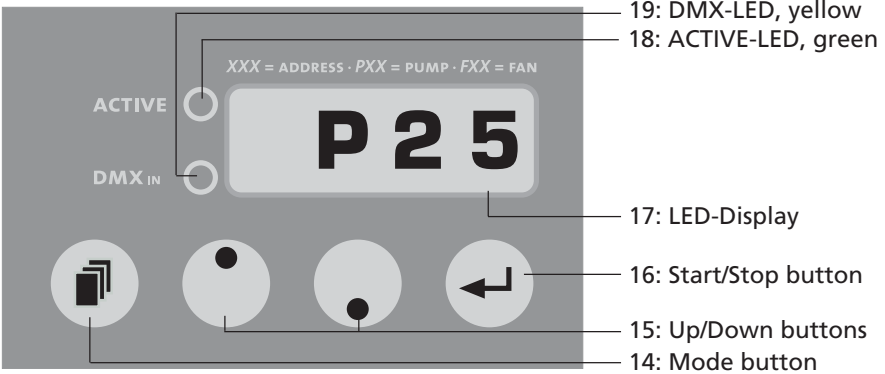


Fig. 1: Display shown at adjusting the pump output

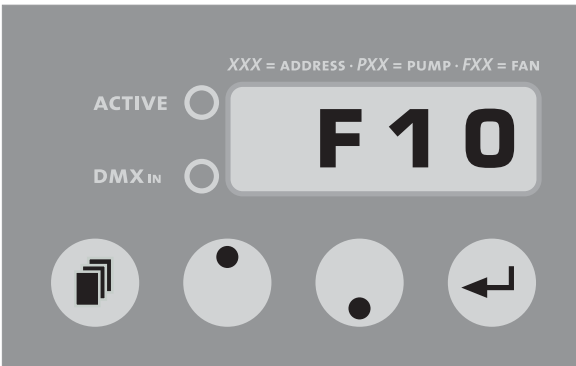


Fig. 2: Display shown at adjusting the fan output

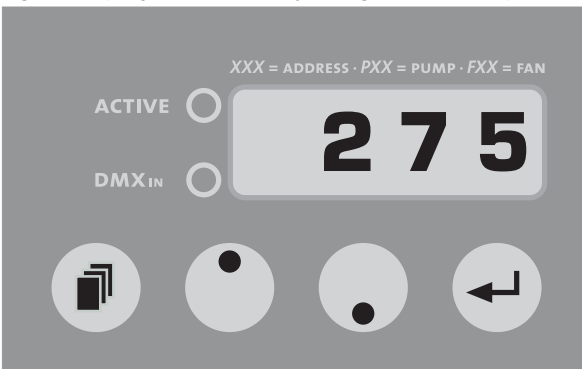


Fig. 3: Display shown at adjusting the DMX start address

## 5. Operating the Unique

You may control the **Unique** externally through the XLR sockets [3 and 7].

**Please note:** DMX takes priority. That means: when the machine is controlled via DMX 512 this data takes priority over 0-10V (+) DC and Stand alone operation.

**Please note:** The fan can only be adjusted when the green LED on the machine is lit (press Start/Stop-button [16] once) or, when controlled via DMX 512, the pump control channel should be greater than 1%.

### 5.4.1 Stand alone

The **Unique** can be used in the Stand alone mode.

In this mode all data for the pump and the fan must be adjusted at the machine (see point 5.5.1).

### 5.4.2 0 - 10 Volt (+) DC control

Connect the **Unique** to an analog desk or with the cable remote, using the 3pin XLR socket at the back of the machine [3].

**Please note:** With analog control the pump can be adjusted from the desk and/or the cable remote. The fan has to be adjusted at the machine.

- a) Put the cable from the desk or the cable remote into the 3pin XLR socket at the back of the machine [3].
- b) Adjust the required fan output at the machine (see chapter 5.5).
- c) With the turnable button on the cable remote or with the fader on the analog desk the pump output can be regulated.
- d) Pressing the On/Off switch at the cable remote starts the haze process, the green Active-LED [18] shines.

### 5.4.3 Operating via DMX 512

Connecting the **Unique** to a DMX desk, using the 5pin XLR socket [7] beside the control panel. As soon as the machine receives a correct DMX signal, the yellow DMX-LED [19] will shine.

**Please note:** The **Unique** uses two channels at your desk! Channel 1 = Pump, Channel 2 = Fan

## 5. Operating the Unique

### 5.4.3.1 Adjusting of the DMX start address

- a) Press the Mode button [14] at the control panel until three figures will appear on the LED display [17] (see Fig. 3).
- b) Adjust the required start address by pressing the Up or Down button [15].
- c) Save the start address by pressing the Start/Stop button [16] once. The start address will now also be saved when you disconnect the machine from the mains supply.

## 5.5 Adjusting the Pump and the Fan

An outstanding feature is the adjustable output of the **Unique**.

The pump and the fan can be easily and separately adjusted and regulated in 99 steps via buttons. Any desired effect can be achieved in steps of 1%: from the finest mist to a thick haze, similar to fog.

To achieve the thickest effect the pump must run at 99%, the fan at 1%.  
The finest haze can be achieved with lower pump and higher fan settings.

The data can be readjusted whenever you want to.

### 5.5.1 Adjusting in the Stand alone mode

Both data, for the pump and for the fan have to be adjusted directly at the machine.

- a) Press the Mode button [14] at the control panel until a P and two figures appear on the LED display [17] (see Fig. 1).
- b) Adjust the desired data (1 - 99%) by pressing the Up or Down button [15].
- c) Press the Mode button [14] again until an F and two figures appear on the display [17] (see Fig. 2).
- d) With the Up or Down button [15] the fan data can now be adjusted.

## 5. Operating the Unique

### 5.5.2 Adjusting via 0 - 10 Volt (+) DC

If you run the **Unique** via an analog desk or the cable remote the fan has to be adjusted directly at the machine. The pump can be adjusted via the desk or the cable remote.

- a) Press the Mode button [14] at the control panel until an F and two figures appear on the LED display [17] (see Fig. 2).
- b) Adjust the desired data (1 - 99%) by pressing the Up or Down button [15].
- c) Via the turnable button on the cable remote and the fader on your analogue desk the data for the pump can be regulated/adjusted.

### 5.5.3 Adjusting via DMX desk

If you run the machine via a DMX desk you can adjust the pump and the fan directly from the desk from 1 to 99%.

Channel 1 controls the pump, channel 2 the fan. If you change the DMX start address (see point 5.4.3.1), the newly selected channel controls the pump and the next channel controls the fan.

## 5.6 Wiring of the sockets

### 5pin XLR (DMX):

Pin 1 = Ground, Pin 2 = DMX -, Pin 3 = DMX +

### 3pin XLR (analog):

Pin 1 = Ground, Pin 2 = 0-10 V + DC in, Pin 3 = 12 V + DC out, max. 50 mA

## 6. Cleaning, Care and Maintenance

- Ensure the fan which is installed at the side of the machine is not clogged by dust. If necessary remove the dust.
- After several hours of operation, some droplets of condensate will have formed at the nozzle. That is normal and not a malfunction.  
**Please note:** Remove fluid droplets at the nozzle only when the machine has completely cooled off. During operation the nozzle gets very hot!
- Do not let the **Unique** run without any fluid as the pump will run dry.
- Check the state of the fluid filter [12] from time to time and clean or replace it when necessary.
- For cleaning the surface of the device use a suitable, solvent-free cleaner.
- **PLEASE NOTE:** It is not necessary to clean the vaporizer! Cleaning with any liquid/fluid can destroy the heat exchange module!

## 7. Troubleshooting

**Trouble:** The pump runs, however little or no haze is produced.

**Cause:** The pump sucks no or too little fluid.

- Check whether the canister is empty
- Check whether the brass collar is properly connected with the brass coupling
- Check whether the fluid filter in the canister is clogged
- Check whether the fluid tube is twisted or defective

**Trouble:** The yellow LED at the machine do not light up (only at running via DMX)

**Cause:** Connection from the machine to the desk is faulty.

- Check whether the plug is plugged in correctly
- Check whether the cable is defective
- Check whether the DMX start address is adjusted correctly

**Trouble:** During operation the UNIQUE fails to work for a long time

**Cause:** The overtemperature protection device is activated.

- Check whether the fan is clogged

**Trouble:** E-4 appears on the LED display

**Cause:** The machine is getting too hot. The heating switches off and the machine cooles down.



**Solution:** Disconnect the machine from the main supply for a moment and then re-connect it.

**Trouble:** E-1 appears on the LED display

**Cause:** Please send the machine to the service-station or your local dealer.



## 8. Specifications

<b>Procedure:</b>	Haze machine without compressor
<b>Power requirement:</b>	1500 Watt, 230 V/ 50 Hz or 120 V/ 60 Hz
<b>Warming up time:</b>	approx. 60 seconds
<b>Fluid tank capacity:</b>	2 liters
<b>Integrated Fan:</b>	> 6000 l/min.
<b>Haze density:</b>	variable
<b>Control:</b>	DMX 512 0 - 10 V analogue cable remote (option)
<b>Dimensions (L x W x H):</b>	43 x 21.5 x 26 cm
<b>Manufactured for:</b>	<b>Look</b> – SOLUTIONS MADE IN GERMANY

## 9. Warranty conditions

For the haze machine **Unique Look'** guarantee is:

1. Free of charge, subject to the following conditions (No. 2 - 6) we will repair any defect or fault in the unit if it is caused by a proven factory fault and has been advised immediately after appearance and within 12 months of delivery to the end user. Insignificant deviations of the regular production quality does not guarantee replacement rights, nor do faults or defects caused by water, wrong fog fluid, by generally abnormal environment conditions or Force Majeure.
2. Guarantee Service will be done in the following way: Faulty parts will be repaired or replaced (our choice) with correct parts. Faulty units have to be brought to us or our service centres or to be sent to us or our service centres at customer's expense. The invoice and/or receipt showing the purchase date and the serial number has to come with the faulty unit, otherwise this will not be guarantee service. Replaced parts become our property.
3. The customer loses all rights for guarantee services, if any repairs or adjustments are done to the units by unauthorized persons and/or if spare parts are used which are not approved by us. The right of guarantee service is also lost if fluids other than the original „UNIQUE-fluid“ have been used or if units are sent to us with full fluid bottles. Also non compliance with the instructions in this manual or mistakes by incorrect handling/treating of the machine will lead to a loss of guarantee and also any faults and damages caused by undue force.
4. Certain parts of the machine are „consumable parts“ and are not covered by the warranty.
5. Guarantee services do not cause an extension of the guarantee time or the start of a new guarantee time. The warranty for replaced parts ends with the guarantee time of the whole unit.
6. We may, at our option, replace the machine rather than repair it.
7. Further claims, especially for damages, losses etc. outside the unit are excluded.

Other guarantee regulations may be valid outside the USA. Please check with your dealer!

**If you should send the unit for service, do not forget to remove any liquid from the fluid bottle.**

For warranty service in North America contact:

Look Solutions USA Ltd.  
1-800-426-4189  
usa@looksolutions.com