



# ACCLAIM

## FRESNEL

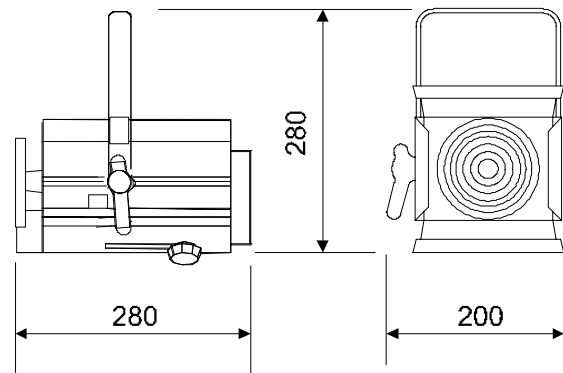
A general purpose Fresnel for theatre, small studio and display lighting. The adjustable cone of light has a soft edge, easily blended with adjacent beams to provide even illumination.

The Acclaim Fresnel offers efficiency, strength and performance using a 110mm diameter lens.

### FEATURES

- Up to 40% more light output than comparative Fresnel luminaires.
- A wide range of beam angles from 6°-60°.
- Adjustable yoke balance point.
- 'Swing-down' door for easy access to lamp or cleaning. Isolates the mains supply when opened.
- Captive lamp/ reflector focus system moves on brass bearing provides smooth focus movement.
- Rear grab-handle, doubles as handy cable storage.
- Constructed of pressure die-castings and aluminium extrusion.
- Fully tested and compliant to CE standards.

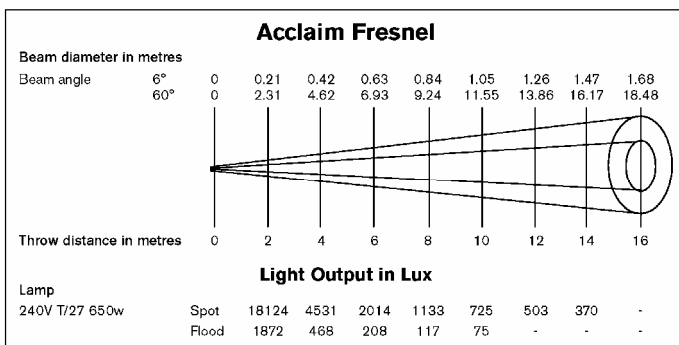
### PHYSICAL DATA



**Weight:** 2.8kg  
**Packed Weight:** 3.2kg  
**Carton Size:** 420 x 225 x 175  
**Carton Size Cubic:** 0.016  
**Colour Frame Size:** 125mm x 125mm  
**Included:** 1 x colour frame, 1 x M12 nut & bolt set, instruction leaflet.

### PHOTOMETRIC DATA

Tests conducted using a standard T27, 650W, 240V, 15,000 lumens lamp.



### LAMPS: 220V-240V

	<b>500W</b>	
T/25, T/18	11,000 lumens	400 hours average life
	<b>650W</b>	
T/26, T/27	14,500 lumens	600 hours average life

### ORDER CODES & ACCESSORIES

Acclaim Fresnel	12ACFMS
Barndoor	20BDMF
Lens Safety Mesh	15ACSM
Suspension Hookclamp	20HC
Safety Bond	20SC

Selecon reserves the right to change the specifications without notice (09/06).